

Technical data sheet

Product features



Linear counter top freezing counter GN 1/1 without TOP 3x2 drawer stainless steel

Model	SAP Code	00012033
--------------	-----------------	----------



- Material: AISI 304
- GN / EN size in device: GN 1/1
- Number of GN / EN: 6
- Control type: Digital
- Minimum device temperature [°C]: -10
- Maximum device temperature [°C]: -24
- Max ambient temperature [°C]: 40
- Insulation thickness [mm]: 50
- Unit: Right
- Automatic defrost: Yes

SAP Code	00012033	Chamber volume [l]	129
Net Width [mm]	1600	Number of GN / EN	6
Net Depth [mm]	685	GN / EN size in device	GN 1/1
Net Height [mm]	575	Minimum device temperature [°C]	-10
Net Weight [kg]	122.00	Maximum device temperature [°C]	-24
Power electric [kW]	0.353	Refrigerant	R290
Loading	230 V / 1N - 50 Hz		

Technical data sheet

Technical drawing

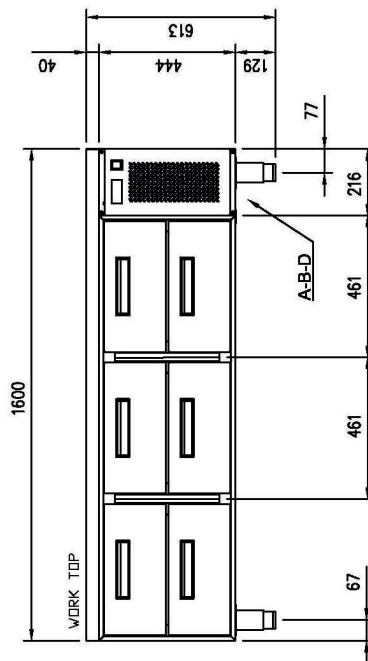
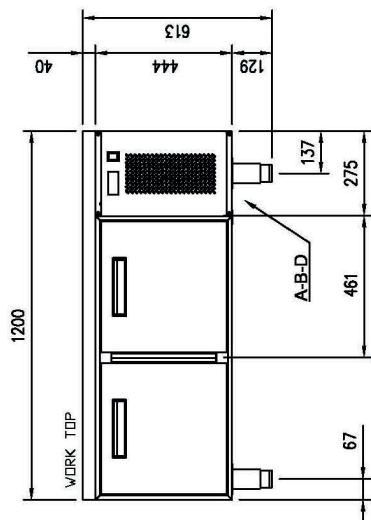
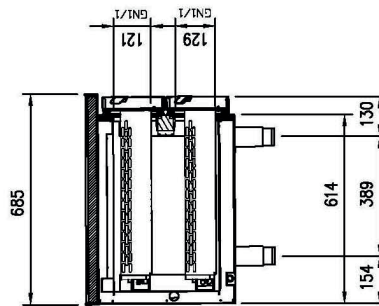
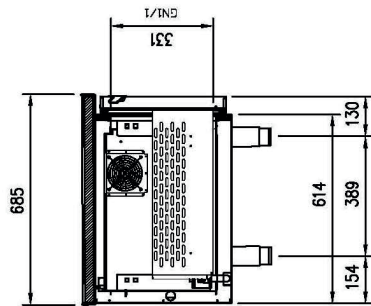


Linear counter top freezing counter GN 1/1 without TOP 3x2 drawer stainless steel

Model

SAP Code

00012033



A= ELECTRICAL CONNECTION
 B= GAS CONNECTION ø8 ø10
 D= WATER DISCHARGE ø20 (M)

Technical data sheet

Technical parameters



Linear counter top freezing counter GN 1/1 without TOP 3x2 drawer stainless steel

Model

SAP Code

00012033

1. SAP Code:

00012033

2. Net Width [mm]:

1600

3. Net Depth [mm]:

685

4. Net Height [mm]:

575

5. Net Weight [kg]:

122.00

6. Gross Width [mm]:

1620

7. Gross depth [mm]:

705

8. Gross Height [mm]:

700

9. Gross Weight [kg]:

143.60

10. Device type:

Electric unit

11. Power electric [kW]:

0.353

12. Loading:

230 V / 1N - 50 Hz

13. Refrigerant:

R290

14. Material:

AISI 304

15. Exterior color of the device:

Stainless steel

16. Max ambient temperature [°C]:

40

17. Device properties 2:

Freezing

18. GN / EN size in device:

GN 1/1

19. Number of internal parts:

6

20. Number of GN / EN:

6

21. Chamber volume [l]:

129

22. Insulation thickness [mm]:

50

23. Unit:

Right

24. Control type:

Digital

25. Annual energy consumption [kWh]:

3560

26. Minimum device temperature [°C]:

-10

27. Maximum device temperature [°C]:

-24

28. Automatic defrost:

Yes

Technical data sheet

Technical parameters



Linear counter top freezing counter GN 1/1 without TOP 3x2 drawer stainless steel

Model	SAP Code	00012033
--------------	-----------------	----------

29. Gross Volume [m3]:

0.799

30. Net Volume [m3]:

0.630